

Part 1: Pre-Deck Installation (Channel)

▲WARNING

FOR YOUR SAFETY—This product must be installed and serviced by a contractor who is licensed and qualified in pool equipment by the jurisdiction in which the product will be installed where such state or local requirements exist. In the event no such state or local requirement exists, the installer or maintainer must be a professional with sufficient experience in pool equipment installation and maintenance so that all of the instructions in this manual can be followed exactly. Before installing this product, read and follow all warning notices and instructions that accompany this product. Failure to follow warning notices and instructions may result in property damage, personal injury, or loss of life. Improper installation and/or operation will void the warranty.

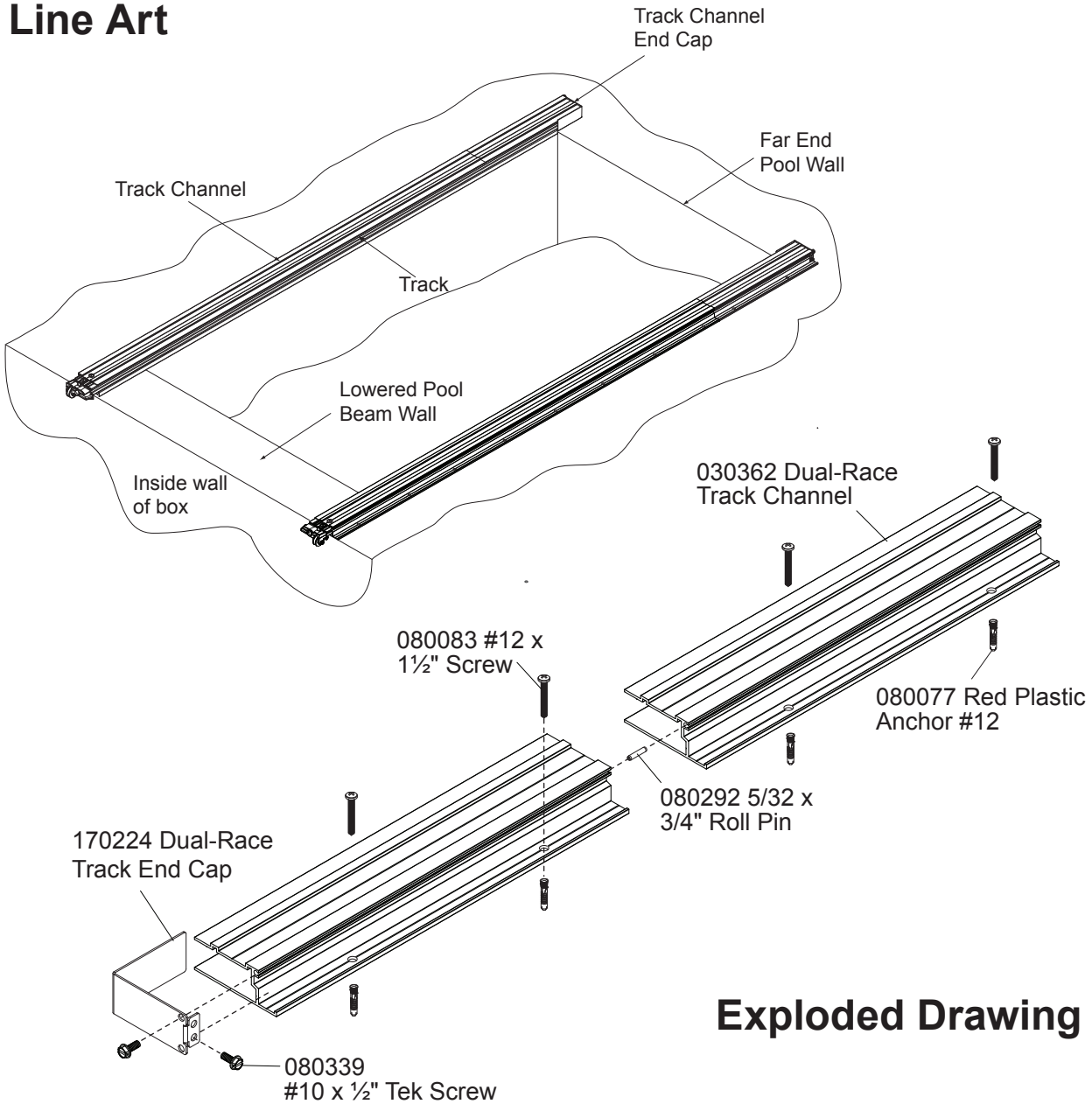
Cover-Pools Dual-Race track channel encases dual-race track, which has been optimized for Cover-Pools T4™ system. The wider channel accommodates a 1-1/2" pulley, which eases wear on the cable. In addition, it contains an integrated mechanical stop and a single shim that doubles as a trim guard. The track contains a separate channel for the glider and fabric to reduce debris buildup.

Track channel is installed before the deck is poured. The channel attaches to the top edge of the pool wall; therefore, the mechanism end pool wall must be 2 inches lower than the pool sidewalls.

Table of Contents

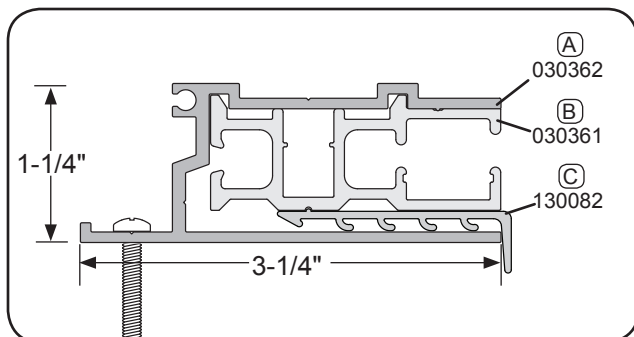
| | |
|---|----------|
| Track Channel w/ Underside Track Profile | 2 |
| Line Art..... | 2 |
| Exploded Drawing | 2 |
| Tools and Equipment | 2 |
| Parts List | 3 |
| Layout..... | 4 |
| Opposite End | 4 |
| Box End..... | 4 |
| Deck Mounting Options | 5 |
| Track Channel Installation | 6 |
| Side Wall Channel..... | 6 |
| Optional Far Wall Installation | 7 |
| Track Channel Bonding | 7 |
| Deck Pour..... | 8 |
| Track Channel Protector..... | 8 |
| Tape Openings..... | 8 |

Line Art



Exploded Drawing

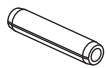
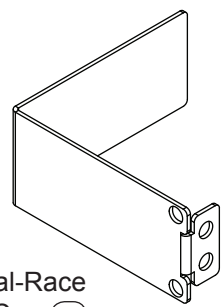
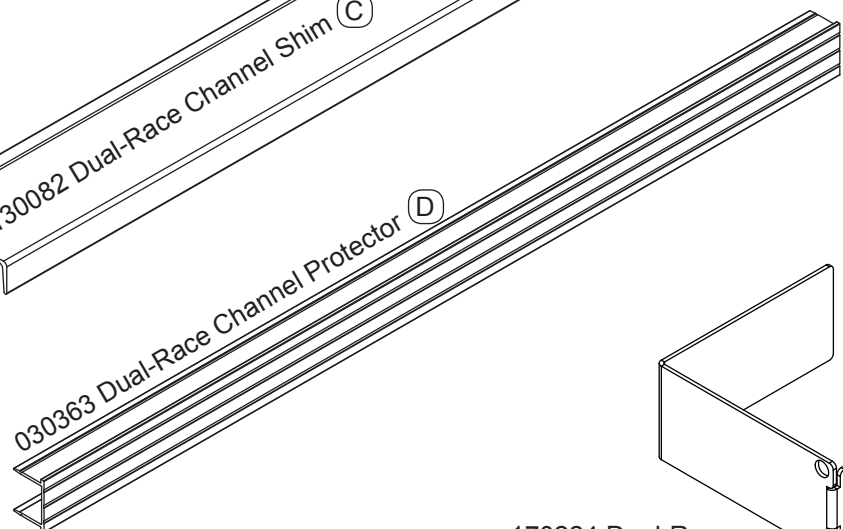
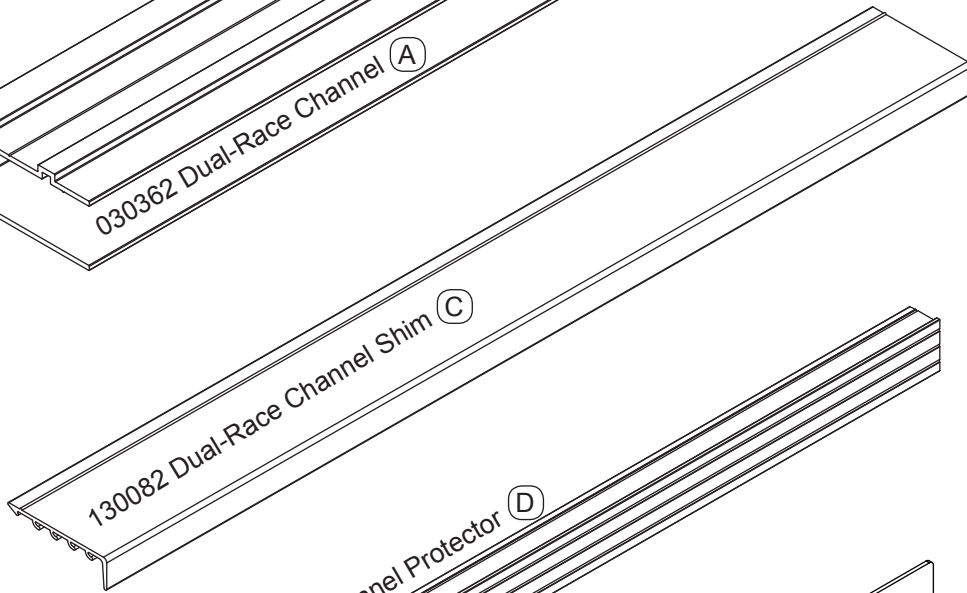
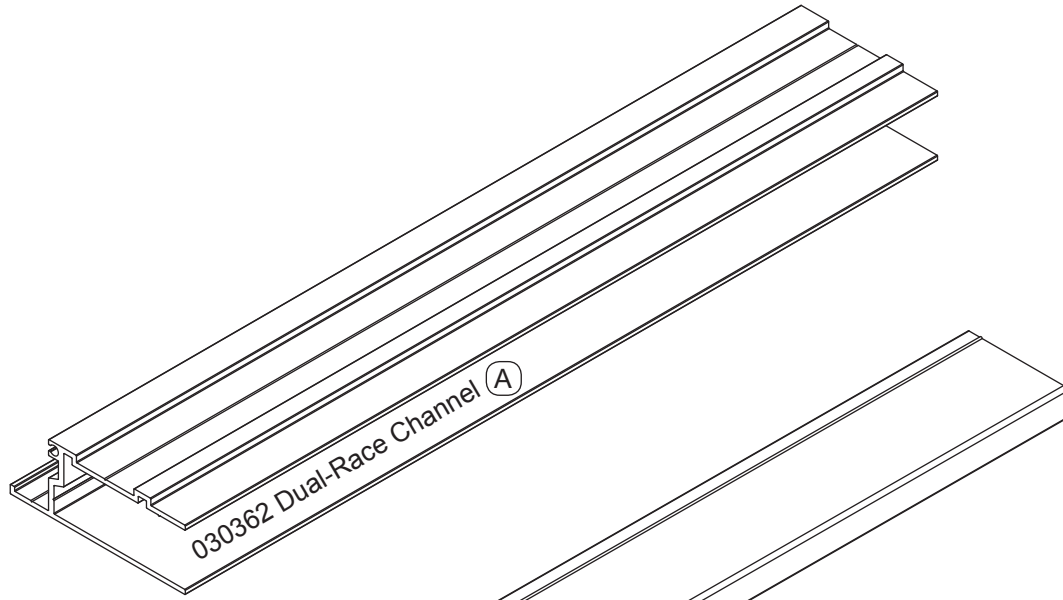
Track Channel w/ Underside Track Profile



Tools and Equipment

- Saw for cutting Aluminum
- Measuring Tape
- Power Drill
- #3 Phillips Power Bit or Driver
- 1/4" Drill Bit Masonry
- 7/16" Combination Wrenches
- Hammer

Parts List



080292 5/32" x 3/4"
Roll Pin (I)



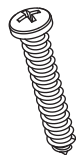
080185
Ground Lug (L)



080108 1/4" Star
Washer (R)



080077
#12 Red Anchor (K)



080083 #12 x 1-1/2"
PPH Screw (N)

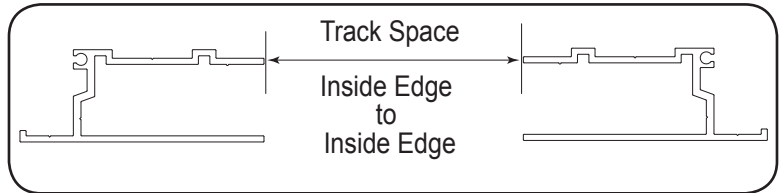


030343
Touch Up Paint*

Layout

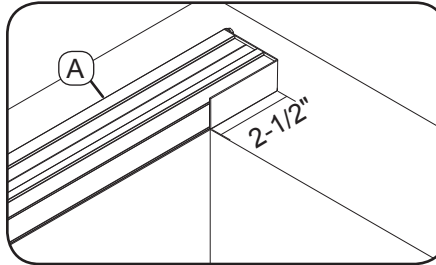
▲CAUTION: If the tracks are not installed square and parallel, the system will not operate properly.

- 1 Check the specified "Track Space (T.S.)" as written on the shop order form or packing list. The track space is the distance from the inside edge to the inside edge of the track channel.



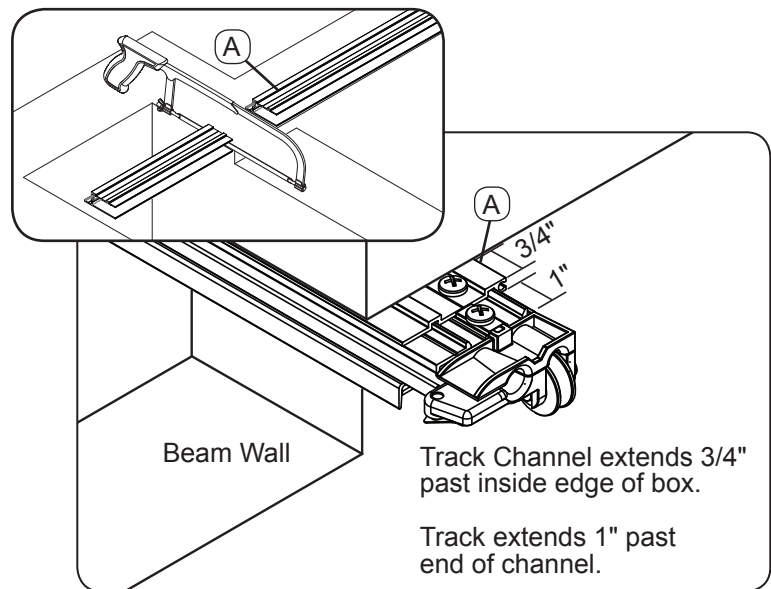
Opposite End

- 2 Lay the track channel (A) along the length of the pool. Extend the track channel 2-1/2" beyond the pool wall.
Apply touch up paint to the cut channel.



Box End

- 3 **Track Channel protrudes into the box.**
Cut the track channel (A) so that it extends 3/4" past the inside edge of the recessed box. The track extends 1" past the end of the track channel and requires a hole drilled through the track channel, track, and shims. A screw and a nut secure them together. See Part 2, (601946) *Securing Track: on page 6.*

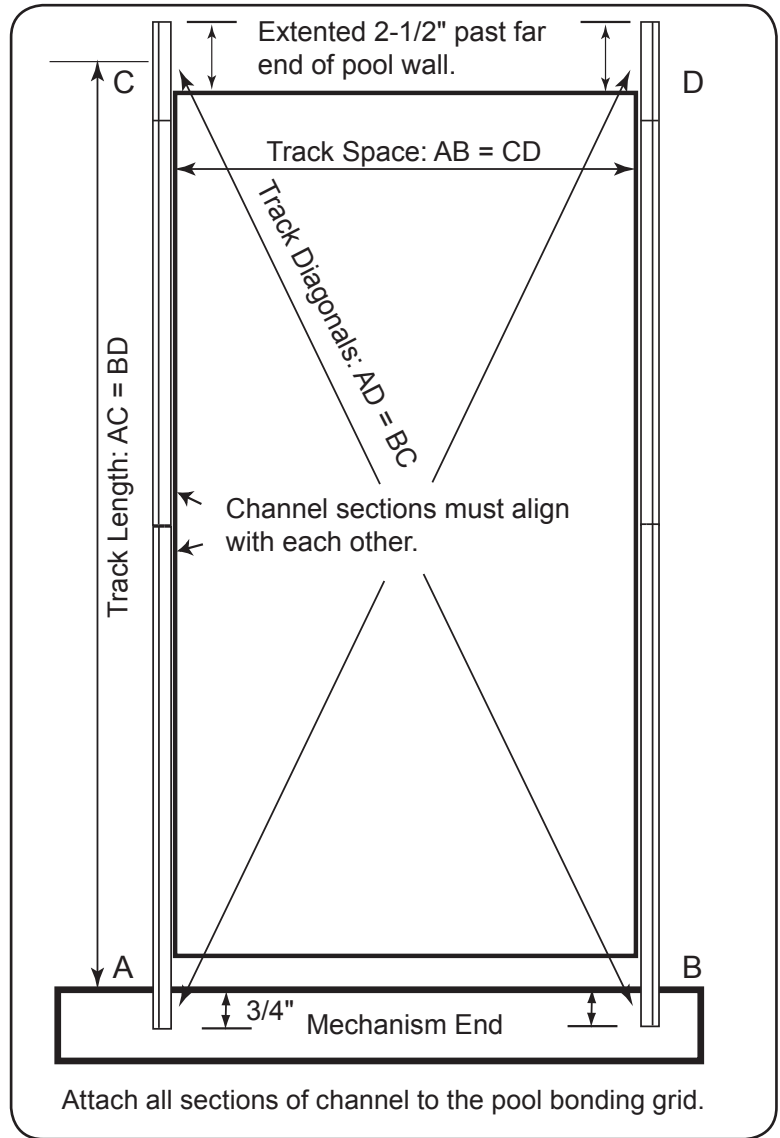


5 Square the track.

- Measure the track space at both ends and the middle to ensure the track channels are parallel.
- Measure the diagonal to ensure a perfectly squared track channel layout.
- Mark the track channel position with a pencil at both ends and several places in between.

CRITICAL INSTRUCTIONS

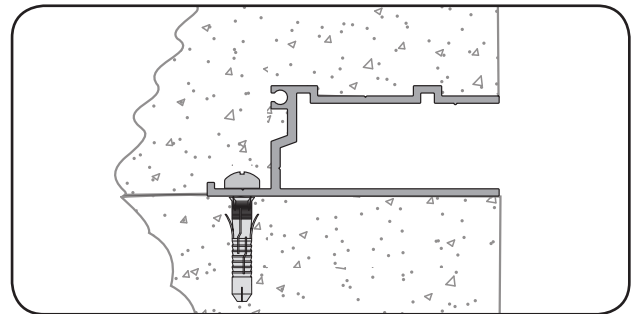
- Tracks must be equal length.
- Tracks must be parallel.
- Tracks must be squared.
- Tracks must be perpendicular to the mechanism.



Deck Mounting Options

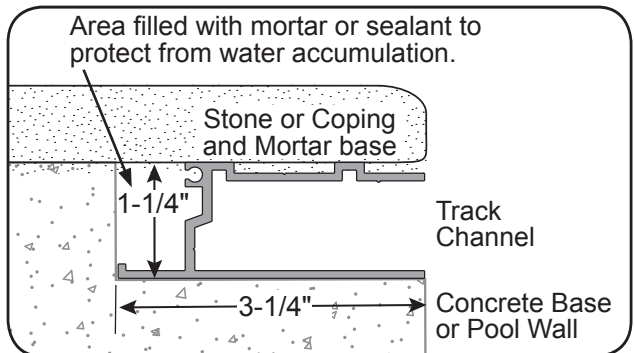
1 Option #1: Standard in deck mounting

The track channel (A) is mounted to the pool wall and the concrete deck is poured up to and over the channel for a flush look.



2 Option #2: Recessed mounting for stone or coping

The track channel (A) is set in a recessed notch below the stone or coping level. A light mortar or grout layer is applied under the stone surface and used to fill in behind the channel if necessary.



(A) Track Channel
(K) #12 Red Anchor

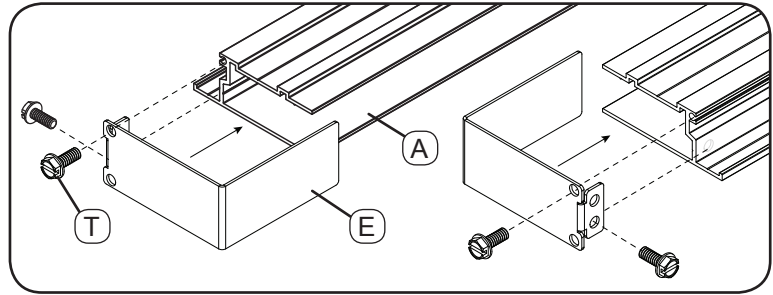
(I) 5/32" x 3/4" Roll Pin
(T) #10 x 1/2" Tek Screw

(N) #12 x 1-1/2" Screw

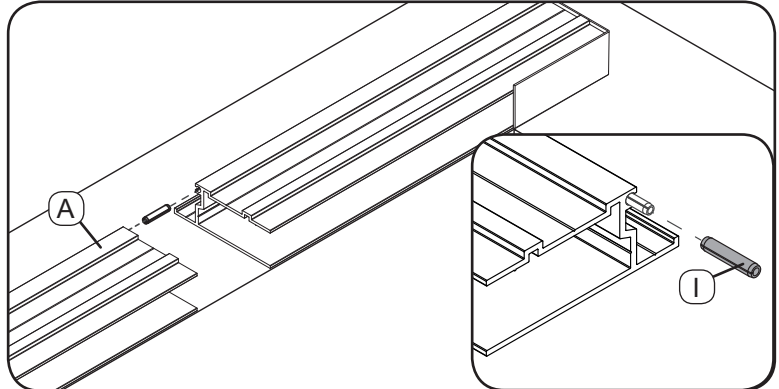
Track Channel Installation

Side Wall Channel

1 Attach the end caps (E) to the two far wall track channel (A) pieces with two #10 x 1/2" Tek screws (T).

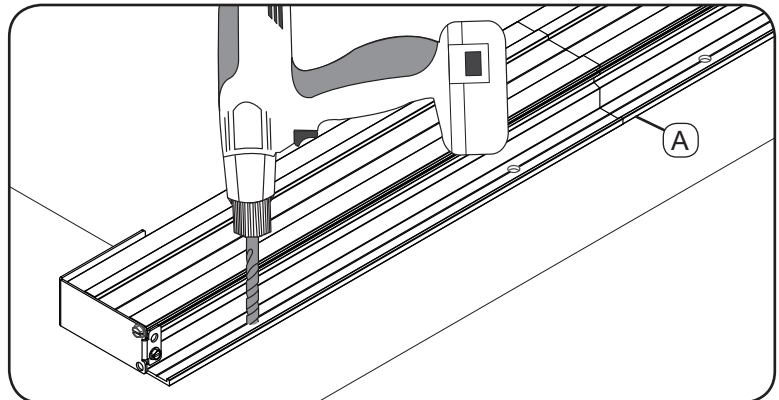


2 Tap a roll pin (I) 3/8" deep (halfway) into the slot in a track channel piece (A). Connect another track channel with the roll pin. Connect additional track channel pieces along the side wall with the roll pins.



3 Hold the track channel (A) in place and drill the first hole with a 1/4" masonry drill bit.

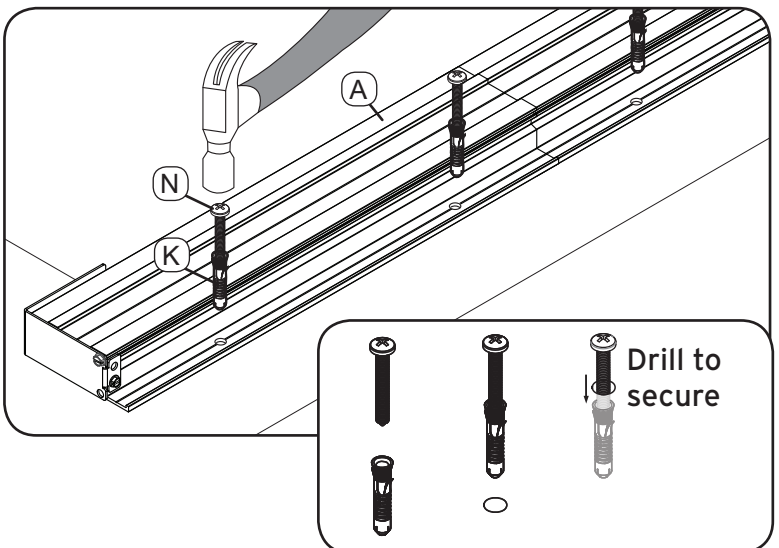
Clear excessive dust from the hole.



4 Twist a red anchor (K) onto the tip of a #12 screw (N). Use a hammer to tap the connected screw and anchor into the hole until the anchor is no longer visible.

Use a power drill to secure the screw in place.

Continue with the same procedure for every hole on the track channel (A) working from the outside in.



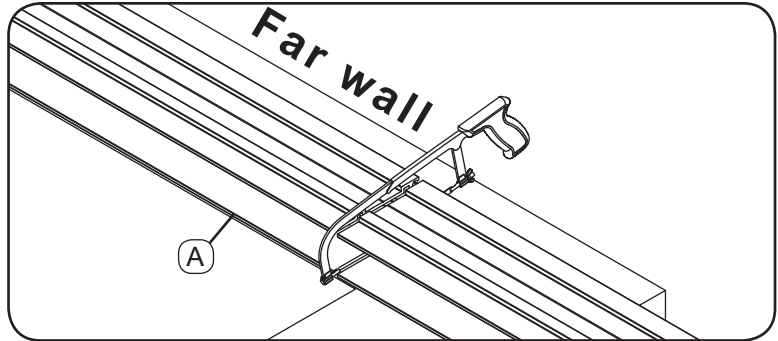
- (A) Track Channel
- (I) 5/32" x 3/4" Roll Pin

- (L) Ground Lug
- (N) #12 x 1-1/2" Screw

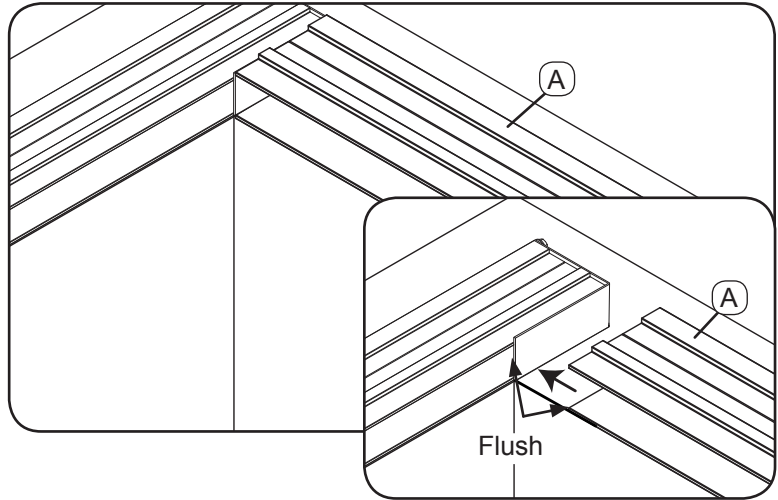
- (R) Star washer

Optional Far Wall Installation

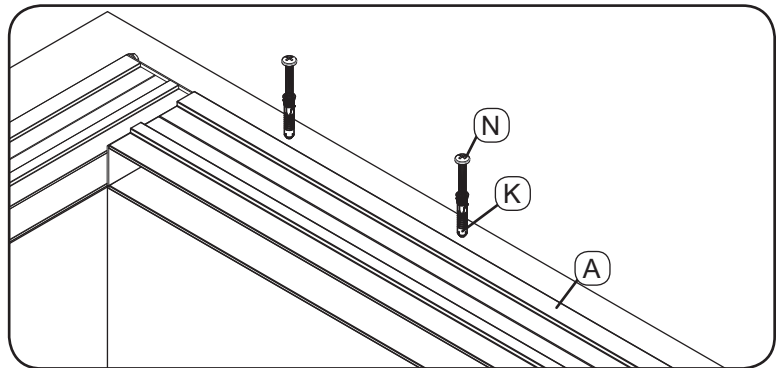
- 1 Cut a track channel (A) to the length of the far wall.
Apply touch up paint to the cut channel.



- 2 Set the track channel (A) on the pool's far wall corner. Align the track channel so that the front of the track channel is flush against the front edge of the plate on the far wall.



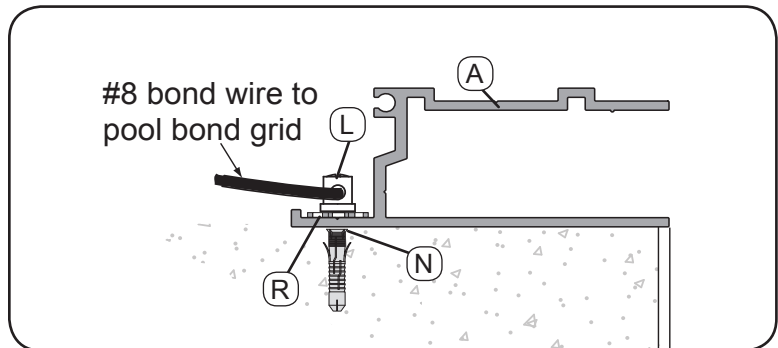
- 3 Attach the track channel (A) to the pool's far wall corner with red anchors (K) and #12 screws (N).



Track Channel Bonding

- 1 Each section of the track channel must be connected to the pool bonding grid. Check local code in your area for bonding requirements.

Attach a star washer (R) and ground lug (L) to each track channel (A) section with a #12 screw (N). Connect a #8 solid copper wire from the pool bonding grid to the ground lug.

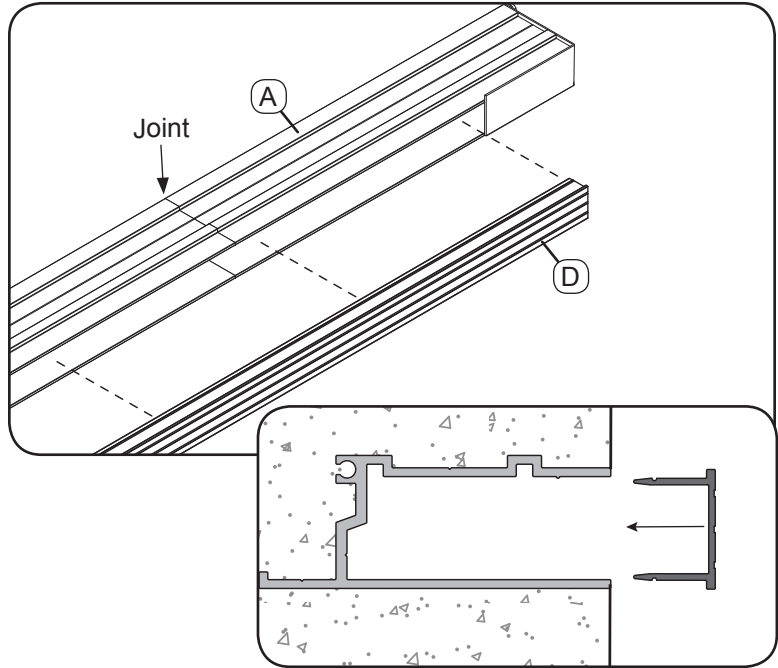


Deck Pour

Track Channel Protector

Track channel protector is inserted into the track to prevent concrete from entering the channel and to prevent the channel from collapsing during the pour. Track channel protector is not used with reusable coping.

- 1 Snap the track channel protector (D) into the front of the channel (A) offsetting the joints. If it still will not snap into place, gently tap it with a rubber mallet.



Tape Openings

- 2 Place tape over the track channel and any area that may allow debris to enter the channel while the deck is poured.

Note: the protector can be used as the far wall plug.

