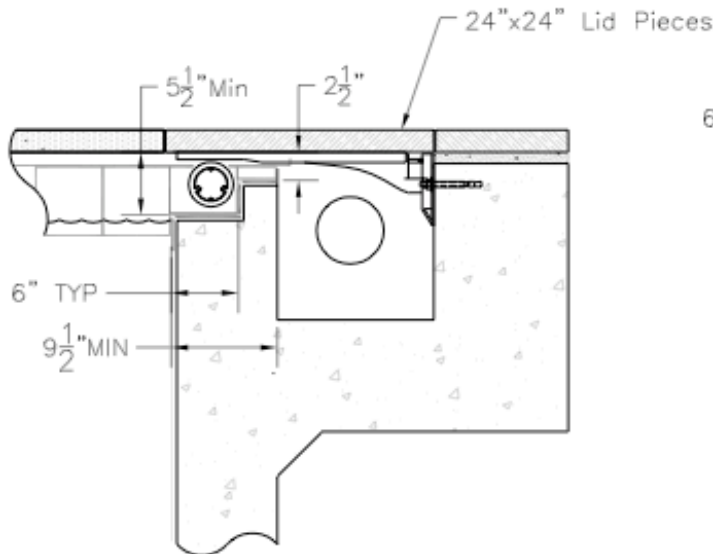


## For 4" Diameter Leading Edge Bar (pools 22' and wider)

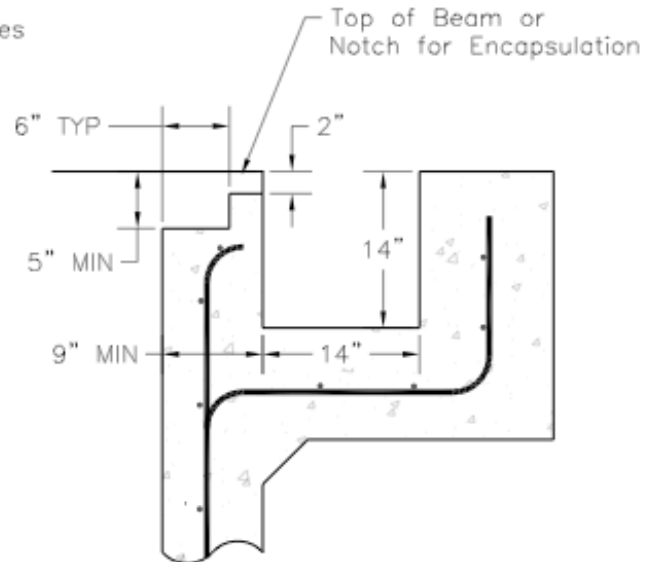
Skimmer height is set for a water line  $4\frac{1}{2}$ " below top of tile for encapsulated guide and  $5\frac{1}{2}$ " below for screw-on guide. Internal walls such as spas must  $5\frac{1}{2}$ " below bond beam. Because coping and deck thickness vary, housing depth is always measured from the top of beam or top of encapsulation.

### Encapsulated Guide

Finished dimensions

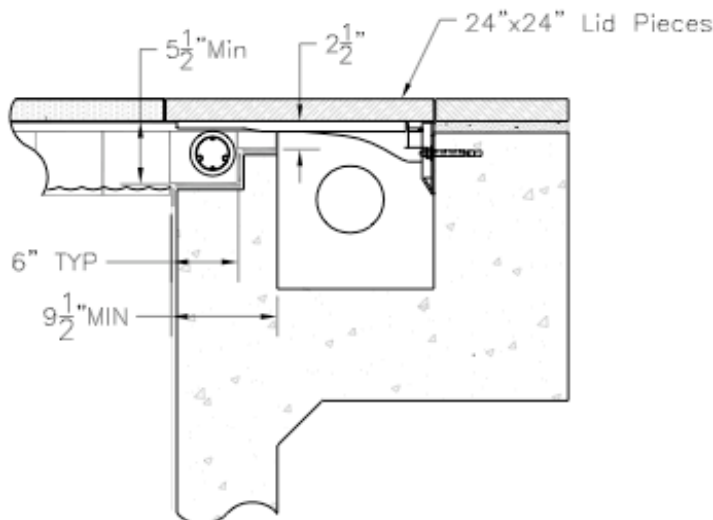


Gunite Dimensions



### Screw-On Guide

Finished dimensions



Gunite Dimensions

