

## Product Introduction / Enhancement

<b>Date</b>	Mar. 22, 2018
<b>Date Available</b>	See below.

**Part # Introduced / Updated:** Encapsulation/ Retainer 403 for Gunite Pools - 2018

We have created a new encapsulation/retainer for Gunite pools that is thicker than our current encapsulation. With this new encapsulation, we have also created new part numbers for the encapsulation kits to create differentiation between the two encapsulations and their kits.

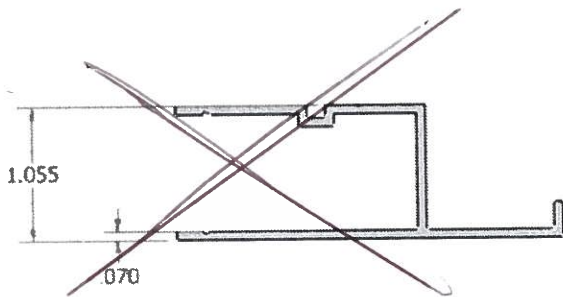
The new part numbers are:

- X1651      Encapsulation/Retainer kit 403 Gunite 21 ft – 2018
  
- A5010      Encapsulation/Retainer Kit 403 10 X 20 Gunite 2018
- A5011      Encapsulation/Retainer Kit 403 12 X 24 Gunite 2018
- A5012      Encapsulation/Retainer Kit 403 16 X 32 Gunite 2018
- A5013      Encapsulation/Retainer Kit 403 18 X 36 Gunite 2018
- A5014      Encapsulation/Retainer Kit 403 20 X 40 Gunite 2018
- A5015      Encapsulation/Retainer Kit 403 22 X 50 Gunite 2018

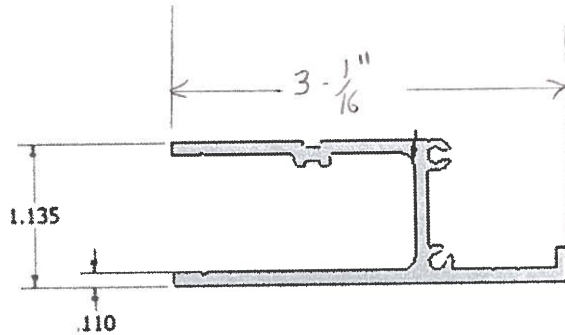
**Features:**

- The new encapsulation is 57% thicker.
- Added spring pin channels for straight encapsulation alignment.
- The inside corners of the encapsulation include radius's to provide increased strength.

**Pictures:**



Current Encapsulation



New Encapsulation